

**REZNOR®**

# ELECTRIC HEATER CATALOG

## CAPACITIES

1 - 60 kW

## APPLICATIONS SPACE HEATING

Entry Ways

Stairwells

Hallways

Guard Houses

Factories

Workshops

Garages

Temporary Heat

Residential



**TIME TESTED. CONTRACTOR APPROVED.**

# REZTOR® IS YOUR GLOBAL LEADER IN HVAC TECHNOLOGY

## BACKGROUND

Reznor was founded in 1888 to manufacture the "Reznor" reflector heater, which used a luminous flame gas burner developed by George Reznor. This technological breakthrough was an immediate success and hastened the expansion of gas heating in residential and commercial applications. Technological development and innovation have been the hallmarks of Reznor products through the years. As a result of this pioneering role in the heating, makeup air and ventilating equipment field, the products offered today are the most advanced in engineering design to satisfy a wide variety of applications.

## SERVICES

Product service requirements are handled through contractors and/or distributors, with backup from local representatives and factory-based service team. Replacement parts inventories for both warranty and non-warranty requirements are maintained at service centers throughout the country and at the manufacturing facilities.

For the Reznor Representative in your area, call 800-695-1901.

## ABOUT NORTEK GLOBAL HVAC

For more than 100 years, Nortek Global HVAC has brought the latest innovations in heating, cooling and ventilation to homes, businesses and every place in between. Our vast portfolio of residential and light commercial brands offers efficient and dependable products that live up to their trusted reputation. We're always looking for the next advancement in HVAC because innovation is not only our legacy, it is our future.

In addition to Reznor product, Nortek Global HVAC and its subsidiaries build and sell HVAC systems under the Maytag®, Frigidaire®, Mammoth® and Gibson® brands, among others.



## Why choose Reznor®?

With more than 130 years of experience in gas heating and air conditioning, Reznor manufactures a wide range of industrial and commercial HVAC solutions. Founded in 1888 in Pennsylvania, Reznor is a global leader thanks to its innovative and economical solutions for heating, cooling, ventilation and air quality.

### Contents

Contents	Page	Page	Page
EGEB Cyclone Commercial Unit Heater	4	EMC Forced-Air Cabinet Unit Heater	17
EGHB Industrial Suspended Unit Heater	6	EHA Forced-Air Architectural Wall Heater	20
EGW Economical Unit Heater	9	EHC Commercial Wall Heater	22
EXUB Explosion-Resistant Unit Heater	10	EHL Residential Wall Heater	24
EWHB Wash Down Unit Heater	13	EBHB Electric Baseboard Heater	26
ECR/ECS Ceiling Forced-Air Diffuser	15	Mechanical Thermostats	28
		Electrical Fundamentals	28
		Electric Current Table	29
		Cross Reference Chart	29
		Other Products	30
		Color Chart	30

# EGEB CYCLONE COMMERCIAL UNIT HEATER

## FEATURES

### COLOR

- Standard: almond

### FINISH

- Standard: epoxy/polyester powder paint

### VOLTAGE

- 208V, 240V, 277V, 347V, 480V, 600V, 1 or 3-phase

### CONSTRUCTION

- Draw-through design for more evenly heated air
- Specially designed outlet diffuser provides maximum air velocity
- Individually adjustable louvers to direct discharge Airflow
- High-limit temperature control with automatic reset
- 18 and 20 gauge steel

### FAN

- Motor - totally enclosed - thermally protected
- Motor mounted in ambient air stream, shielded from heating elements
- Fan delay purges heater of residual heat for longer life

### HEATING ELEMENT

- Stainless steel sheath with aluminum fins
- Draw-through design permits greater heat transfer



### CONTROL

- All models have factory installed contactor
- 240/208V control circuit standard on all models (with transformer if needed)
- Full line of unit mounted control accessories available (factory or field installed)

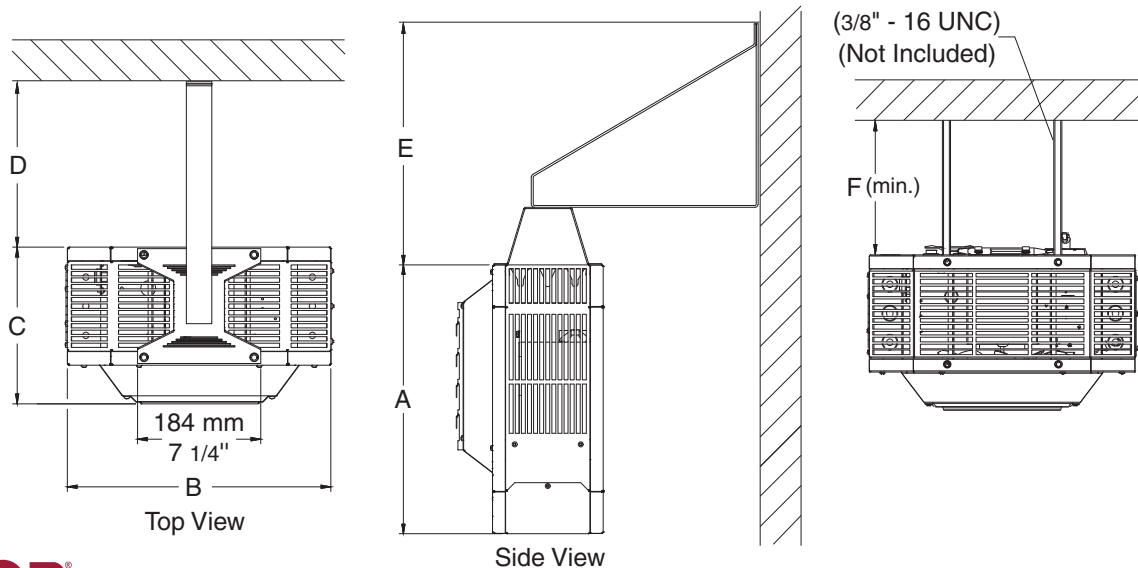
### INSTALLATION

- Minimum mounting height:  
U.S. - 6 ft. (1.8 m)  
Canada - 8 ft. (2.4m)
- Horizontal or vertical discharge Airflow
- Includes wall and ceiling mounting brackets (for horizontal discharge Airflow)
- For vertical Airflow 4 welded nuts (for threaded rod 3/8 inch x 16 UNC) provided in heater back
- Large and easily accessible control compartment

### APPLICATION

- Factory, warehouse, garage, store, shipping room

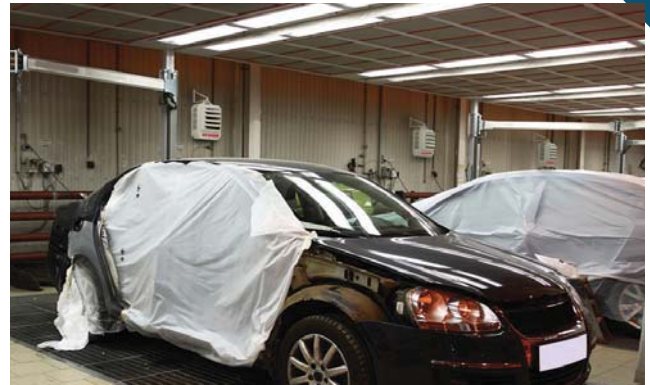
## DIMENSIONS



**REZNOR**

# EGEB CYCLONE COMMERCIAL UNIT HEATER continued

	2 - 5kW		7.5 - 10kW		15 - 20kW	
	mm	inch	mm	inch	mm	inch
<b>A</b>	416	16 3/8	622	24 1/2	622	24 1/2
<b>B</b>	395	15 9/16	559	22	559	22
<b>C</b>	231	9 1/8	276	10 7/8	412	16 1/4
<b>D</b>	244	9 5/8	357	14 1/16	289	11 3/8
<b>E</b>	373	14 11/16	507	19 15/16	556	21 7/8
<b>F</b>	152	6	254	10	152	6
<b>Weight</b>	<b>kg</b>	<b>lb</b>	<b>kg</b>	<b>lb</b>	<b>kg</b>	<b>lb</b>
	18	40	30	67	41	90



## MODELS

		Size	3	5	7	9	10	15	19	20
<b>Heating Capacity</b>		<b>kW</b>	3	5	7.5	9.9	10	15	19.8	20
		<b>MBH</b>	10	17	26	34	34	51	68	68
<b>Airflow</b>		<b>cfm</b>	310	310	600	600	625	915	1300	1300
<b>Temperature Rise</b>		<b>°F</b>	31	51	40	52	51	52	49	49
		<b>°C</b>	17	28	22	29	28	29	27	27
<b>Motor</b>		<b>HP</b>	1/50	1/50	1/33	1/33	1/33	1/8	1/8	1/8
		<b>RPM</b>	1490	1490	1490	1490	■	1490	■	■
<b>Ship Weight</b>		<b>RPM</b>	1550	1550	1550	■	1550	1550	1550	1550
		<b>Lbs</b>	40	40	67	67	67	90	90	90
		<b>Kg</b>	18	18	30	30	30	41	41	41
<b>Factory Installed Options</b>										
<b>Country Code</b>	Canadian Destination/Approvals	<b>BY15</b>	✓	✓	✓	■	✓	✓	✓	✓
	US Destination/Approvals	<b>BY16</b>	✓	✓	✓	✓	■	✓	✓	✓
<b>Supply Voltage/ Phase</b>	208/1-3 <sup>1</sup>	<b>AK15</b>	✓	✓	✓	✓	■	■	■	■
	208/3	<b>AK5</b>	✓	✓	✓	■	■	✓	■	✓
	240/1-3 <sup>1</sup>	<b>AK16</b>	✓	✓	✓	■	✓	■	■	■
	240/3	<b>AK6E</b>	✓	✓	■	■	■	✓	✓	■
	277/1	<b>AK4</b>	✓	✓	✓	■	✓	■	■	■
	347/1	<b>AK34</b>	■	■	■	■	✓	■	■	■
	480/1	<b>AK9E</b>	✓	✓	✓	■	■	■	■	■
	480/3	<b>AK7E</b>	✓	✓	✓	■	✓	✓	■	✓
	600/3	<b>AK8E</b>	■	■	✓	■	✓	■	■	✓
	<b>Disconnect Switch <sup>2</sup></b>	40A	<b>BA14</b>	✓	✓	✓	■	■	■	■
80A		<b>BA15</b>	■	■	■	✓	✓	✓	✓	✓
<b>Control Voltage</b>	Supply Voltage									
	Control Voltage									
	208 to 600	<b>STD</b>	✓	✓	✓	✓	✓	✓	✓	✓
	208 to 600	<b>BT1</b>	✓	✓	✓	✓	✓	✓	✓	✓
<b>Internal Thermostat</b>	1-Stage	<b>IC11</b>	✓	✓	✓	✓	✓	✓	✓	✓
	2 Stage	<b>IC14</b>	■	■	■	■	■	✓	✓	✓
<b>Fan Controls</b>	Unit Mounted Fan Switch	<b>BF4A</b>	✓	✓	✓	✓	✓	✓	✓	✓
	Relay for 24V remote fan switch (by others). Required 24V control voltage	<b>BF5</b>	✓	✓	✓	✓	✓	✓	✓	✓
<b>Field Installed Options (shipped separately)</b>										
<b>Mounting Accessories</b>	Wall bracket for horizontal discharge	<b>STD</b>	✓	✓	✓	✓	✓	✓	✓	✓
	Ceiling bracket for horizontal discharge	<b>STD</b>	✓	✓	✓	✓	✓	✓	✓	✓
	Threaded rod inserts in back for vertical/downflow (rod by others)	<b>STD</b>	✓	✓	✓	✓	✓	✓	✓	✓
	Kit to field install (retrofit) built-in thermostat (specify the wattage of the unit)	<b>IT13</b>	✓	✓	✓	✓	✓	✓	✓	✓
<b>Thermostats</b>	24V 40°F-80°F single stage wall thermostat	<b>CL1A</b>	✓	✓	✓	✓	✓	✓	✓	✓
	SPST single stage line voltage wall thermostat	<b>CL5</b>	✓	✓	✓	✓	✓	✓	✓	✓
	Kit to field install BF4A fan switch for 277 units or less	<b>CH2A</b>	✓	✓	■	■	■	■	■	■
	Kit to field install BF4B fan switch for units over 277V	<b>CH2B</b>	✓	✓	■	■	■	■	■	■
	Kit to field install BF4C fan switch 277V units or less	<b>CH2C</b>	■	■	✓	✓	✓	✓	✓	✓
	Kit to field install BF4D fan switch for units over 277V	<b>CH2D</b>	■	■	✓	✓	✓	✓	✓	✓
	Relay kti for 24V remote fan switch (by others). Requires 24V control voltage	<b>IR3</b>	✓	✓	✓	✓	✓	✓	✓	✓

<sup>1</sup> Models with the indications "1/3" can be field converted from 1 to 3-phase.

<sup>2</sup> For the U.S. only: The nominal current of the unit must not exceed 80% of the capacity of the disconnect.

# EGHB INDUSTRIAL SUSPENDED UNIT HEATER

## FEATURES

### COLOR

- Standard: almond

### FINISH

- Standard: epoxy/polyester powder paint

### VOLTAGE

- 208V, 240V, 277V, 347V, 480V, 600V, 1 or 3-phase
- Some units may be field converted from 3 to 1-phase

### CONSTRUCTION

- 18 and 20-gauge steel
- Adjustable louvres to direct airflow
- High-limit temperature control with automatic reset

### FAN

- Motor mounted in cold compartment
- Thermally-protected motor
- Totally enclosed and factory-lubricated ball bearing motor (except for 15 to 25kW at 208/240V)
- 58 dBA fan (2 to 10kW), 67 dBA fan (15 to 30kW) and 77 dBA fan (40 to 60kW)
- Fan delay purges heater of residual heat

### HEATING ELEMENT

- Durable tubular heating elements; stainless steel (2 to 10kW); finned (15 to 60kW)
- Concentric disposition of heating elements
- Factory sealed element upon request

### CONTROL

- All models have a factory-installed contactor
- 240/208V control circuit standard (with transformer if necessary)
- 24V relay, with or without transformer available
- Built-in thermostat available
- 120V control circuit available

**Manufacturer highly recommends to use a wall thermostat for greater comfort.**

**Any remote thermostat or relay must be connected to the heater control terminal block.**



### INSTALLATION

- Horizontal wall or ceiling mounting using one of two supplied brackets which allow 360° rotation (Horizontal mounting only for 40kW, 50kW and 60kW secured by 4 hooks [ceiling only])
- Vertical mounting using 4 threaded rods 1/2 inch X 13 UNC (not included) (except option -MD)
- Diffuser cones available (except option -MD)
- Large and easily accessible control compartment
- Maximum recommended height (horizontal): 2 to 10kW: 8 ft. (2.4 m); 15 to 30kW: 10 ft. (3 m); 40 to 60kW: 15 ft. (4.5 m)
- Protective screen allows lower mounting height (except 40 to 60kW)
- Minimum height of 8 ft. (2.4 m) for 40 to 60kW heaters
- 30 °C (85 °F) maximum operating ambient temperature

### APPLICATION

- Commercial hall, warehouse, stairwell, factory



**REZNOR®**

# EGHB INDUSTRIAL SUSPENDED UNIT HEATER continued

## MODELS

		Size	2	3	4	5	7	10	15	20	25	30	40	50	60		
Heating Capacity	kW	2	3	4	5	7.5	10	15	15	20	20	25	25	30	40	50	60
	MBH	7	10	14	17	26	34	51	51	68	68	85	85	102	136	171	205
Airflow	cfm	510	510	510	700	700	700	1300	1400	1300	1400	1300	1400	2000	2000	2000	2000
Temperature Rise	°F	13	18	25	23	34	45	36	34	49	45	61	56	68	63	79	95
	°C	7	10	14	13	19	25	20	19	27	25	34	31	38	35	44	53
Motor	HP	1/30	1/30	1/30	1/30	1/30	1/30	1/8	1/3	1/8	1/3	1/8	1/3	1/3	3/4	3/4	3/4
	@ 277V and lower	RPM	1550	1550	1550	1550	1550	1550	1550	1550	■	1550	■	1550	■	■	■
	@ 480V and Higher	RPM	1550	1550	1550	1550	1550	1550	■	1725	■	1725	■	1725	1725	1140	1140
Ship Weight	Lbs	45	45	45	45	45	45	85	85	85	85	85	85	85	150	150	150
	Kg	20	20	20	20	20	20	39	39	39	39	39	39	39	68	68	68
<b>Factory Installed Options</b>																	
Supply Voltage/ Phase	208/1	AK2	✓	✓	✓	✓	■	✓	■	■	■	■	■	■	■	■	■
	208/3	AK5	■	■	■	■	■	✓	✓	■	✓	■	■	■	■	■	■
	208/3-1 <sup>1</sup>	AK15	■	■	■	✓	✓	■	■	■	■	■	■	■	■	■	■
	240/1	AK3E	✓	✓	✓	✓	✓	✓	■	■	■	■	■	■	■	■	■
	240/3	AK6E	■	■	■	■	■	■	✓	■	✓	■	✓	■	■	■	■
	240/3-1 <sup>1</sup>	AK16	■	■	■	✓	✓	✓	■	■	■	■	■	■	■	■	■
	277/1	AK4	✓	✓	✓	✓	✓	■	■	■	■	■	■	■	■	■	■
	347/1	AK34	✓	✓	✓	✓	✓	■	■	■	■	■	■	■	■	■	■
	480/1	AK9E	✓	✓	✓	✓	✓	✓	■	✓	■	✓	■	✓	■	■	■
	480/3	AK7E	✓	✓	✓	✓	✓	✓	■	✓	■	✓	■	✓	✓	✓	✓
600/3	AK8E	✓	✓	✓	✓	✓	✓	■	✓	■	✓	■	✓	✓	✓	✓	
Triple Pole Contactor (3ph) <sup>2</sup>		AN6	✓	✓	✓	✓	✓	✓	✓	✓	✓	✓	✓	✓	✓	✓	✓
	40A	BA14	✓	✓	✓	✓	✓	✓	✓	✓	✓	✓	✓	✓	✓	■	■
Disconnect Switch <sup>3</sup>	80A	BA15	✓	✓	✓	✓	✓	✓	✓	✓	✓	✓	✓	✓	✓	✓	✓
	100A	BA16	✓	✓	✓	✓	✓	✓	✓	✓	✓	✓	✓	✓	✓	✓	✓
Branch Circuit Fusing		BA12	✓	✓	✓	✓	✓	✓	✓	✓	✓	✓	✓	✓	✓	✓	✓
Unit Mounted Summer Fan Switch		BF4A	✓	✓	✓	✓	✓	✓	✓	✓	✓	✓	✓	✓	✓	✓	✓
Control Voltage	208V, 240V, 277V	STD	✓	✓	✓	✓	✓	✓	✓	✓	✓	✓	✓	✓	✓	✓	✓
	24V relay with transformer <sup>4</sup>	BT1	✓	✓	✓	✓	✓	✓	✓	✓	✓	✓	✓	✓	✓	✓	✓
	120V contactor with transformer	BT2	✓	✓	✓	✓	✓	✓	✓	✓	✓	✓	✓	✓	✓	✓	✓
Manual High Limit		BD6	✓	✓	✓	✓	✓	✓	✓	✓	✓	✓	✓	✓	✓	✓	✓
Summer Fan Relay	24V, remote control (Fan Switch must be ordered separately)	CV24	✓	✓	✓	✓	✓	✓	✓	✓	✓	✓	✓	✓	✓	✓	✓
Internal Thermostat		IC11	✓	✓	✓	✓	✓	✓	✓	✓	✓	✓	✓	✓	✓	✓	✓
<b>Field Installed Options (shipped separately)</b>																	
24V Relay Kit <sup>5</sup>	Without transformer	IR24	✓	✓	✓	✓	✓	✓	✓	✓	✓	✓	✓	✓	✓	✓	✓
	240V transformer <sup>6</sup>	IR2B	✓	✓	✓	✓	✓	✓	✓	✓	✓	✓	✓	✓	✓	✓	✓
Unit Mounted Thermostat Kit <sup>7</sup>		IT13	✓	✓	✓	✓	✓	✓	✓	✓	✓	✓	✓	✓	✓	✓	✓
Wall Mounted Thermostats	Single-pole, low-voltage thermostat <sup>8</sup>	CL1A	✓	✓	✓	✓	✓	✓	✓	✓	✓	✓	✓	✓	✓	✓	✓
	Single-pole, single stage thermostat	CL5	✓	✓	✓	✓	✓	✓	✓	✓	✓	✓	✓	✓	✓	✓	✓
Vertical Cone Diffuser		CD70	✓	✓	✓	✓	✓	✓	✓	✓	✓	✓	✓	✓	✓	✓	✓

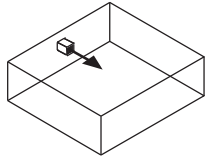
<sup>1</sup> Models with the indications "3/1" can be field converted from 3 to 1-phase.  
<sup>2</sup> 2-pole contactor is standard with single and 3-phase units. 3-pole contactor may be required by some codes for 3-phase.  
<sup>3</sup> For the U.S. only: The nominal current of the unit must not exceed 80% of the capacity of the disconnect.  
<sup>4</sup> For single or multiple unit control.  
<sup>5</sup> IR24: 24V signal by others (multiple units per thermostat). IR2B: for 24V thermostat on each unit.  
<sup>6</sup> All heaters have a 240V control circuit unless otherwise specified.  
<sup>7</sup> Field installed. Same thermostat as Option IC11.  
<sup>8</sup> CL1A thermostat requires option BT1.

Standard color is almond.

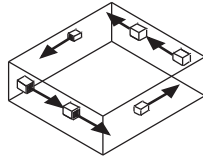
# EGHB INDUSTRIAL SUSPENDED UNIT HEATER continued

## DIMENSIONS

Standard Installation

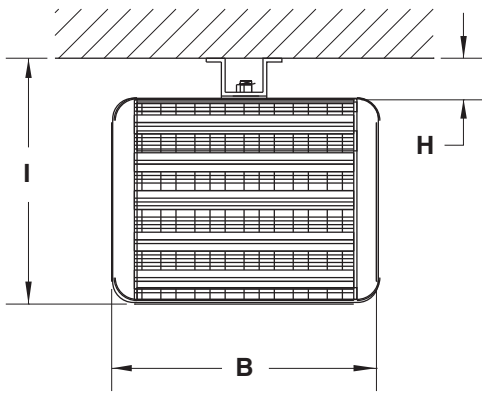
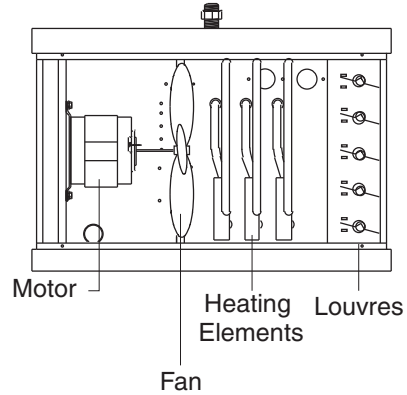


Small Area

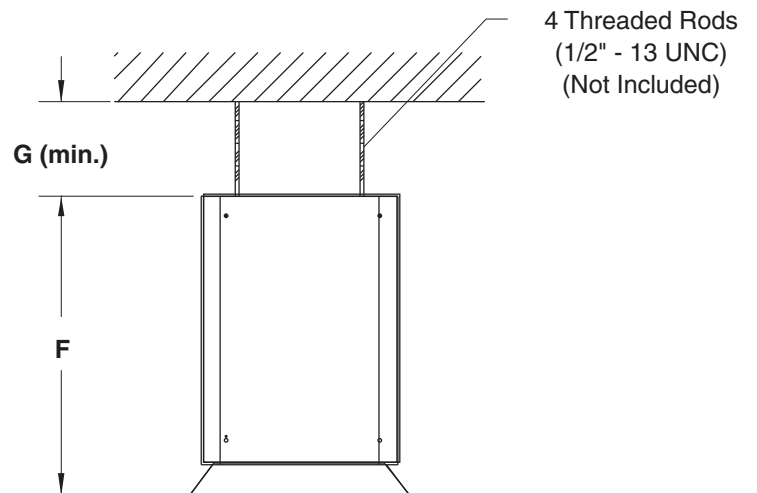
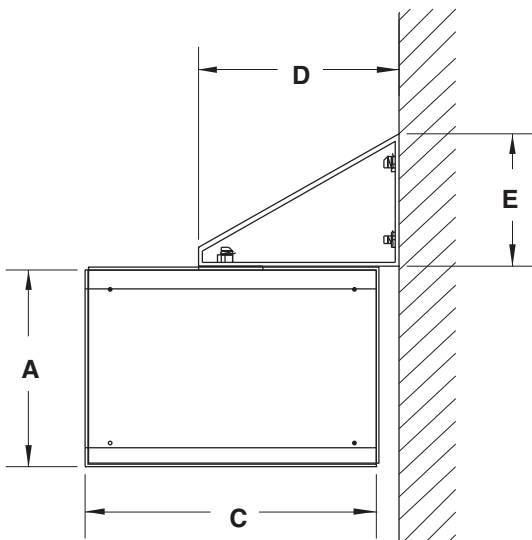


Large Area

Side View  
Motor in Cold Section



	2 - 10kW		15 - 30kW		40 - 60kW	
	mm	inch	mm	inch	mm	inch
<b>A</b>	305	12	444	17 1/2	585	23
<b>B</b>	419	16 1/2	556	21 7/8	641	25 1/4
<b>C</b>	432	17	572	22 1/2	870	34 1/4
<b>D</b>	357	14 1/16	470	18 1/2	-	-
<b>E</b>	290	11 7/16	407	16	-	-
<b>F</b>	490	19 5/16	630	24 13/16	924	36 3/8
<b>G</b>	305	12	305	12	305	12
<b>H</b>	123	4 7/8	148	5 13/16	305	12
<b>I</b>	428	16 7/8	592	23 5/16	890	35
<b>Weight</b>	<b>kg</b>	<b>lb</b>	<b>kg</b>	<b>lb</b>	<b>kg</b>	<b>lb</b>
	20	45	39	85	68	150





# EGW ECONOMICAL UNIT HEATER

## FEATURES

### COLOR

- Standard: almond

### FINISH

- Standard: epoxy/polyester powder paint

### VOLTAGE

- 240/208V, 1-phase

### CONSTRUCTION

- 20-gauge steel
- Adjustable louvres to control warm airflow
- High-limit temperature control with automatic reset (first level)

### FAN

- 300 cfm fan (51 dBA)
- Totally enclosed factory-lubricated motor

### HEATING ELEMENT

- Helical coil nickel-chromium alloy wire provides instant heat



### CONTROL

- Built-in thermostat included

### INSTALLATION

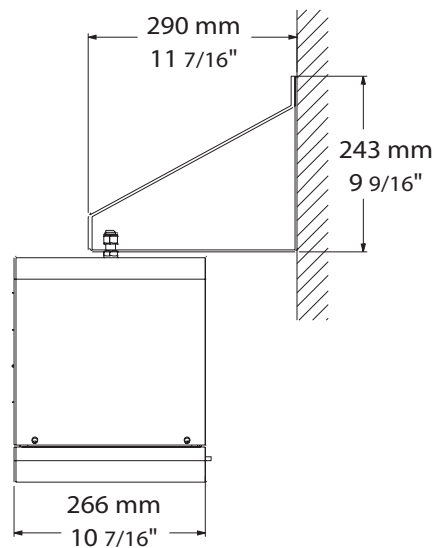
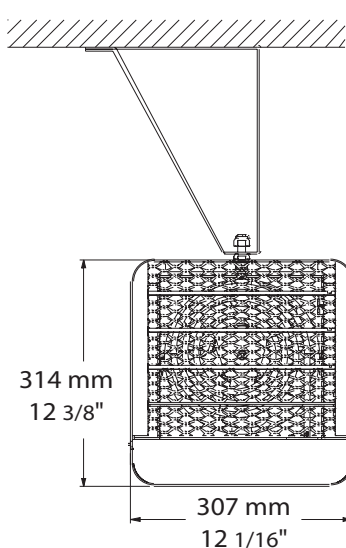
- Wall or ceiling mounting using the supplied brackets which allow 360° rotation of the heater and prevent it from tipping over

### APPLICATION

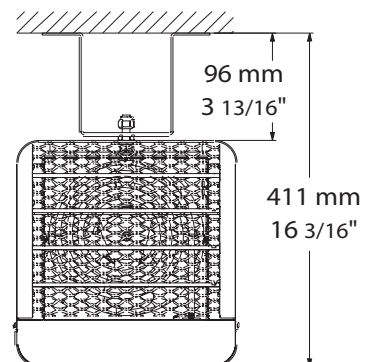
- Garage, workshop

## MODELS

		Size	2	3	5
Heating Capacity	@208/1	Watts	1500	2250	3750
		BTUH	5118	7677	12795
	@240/1	Watts	2000	3000	5000
		BTUH	6824	10236	17060
Ship Weight		Lbs	20	20	20
		Kg	9.1	9.1	9.1



Built-in thermostat and mounting brackets included.



# EXUB EXPLOSION-RESISTANT UNIT HEATER

## FEATURES

### COLOR

- Standard: red

### FINISH

- Standard: epoxy/polyester powder paint

### VOLTAGE

- 208V, 240V, 480V, 600V, 1 or 3-phase

### CONSTRUCTION

- 14-gauge steel cabinet
- Adjustable anodized aluminum louvers
- Cast aluminum control and element enclosure lids NEMA Type 7 and 9 with O-ring
- Fan Guard: multiple horizontal stiffening wires

### PROTECTION

- High temperature pressure relief device
- Two high-limit temperature controls: one with automatic reset and one with manual reset

### FAN

- Explosion-resistant, thermally protected, permanently lubricated ball bearing motor
- 3 to 20kW: 1/4 HP, 1725 rpm
- 25 to 35kW: 1/2 HP, 1725 rpm

### TEMPERATURE CODE

- Division System: 5 - 30kW: T3B 165 °C (329 °F)  
3/35kW: T3A 180 °C (356 °F)
- Zone System: T3 200 °C (392 °F)



### HEAT EXCHANGER

- High grade metal-sheathed elements fins with ethylene glycol/water solution.
- Long-life, low watt density.
- Evacuated and sealed, carbon steel tube core with 10 aluminum fins per inch

### CONTROL

- 120V control (standard)
- Optional 24V control
- Optional built-in or wall thermostat
- Optional disconnect switch

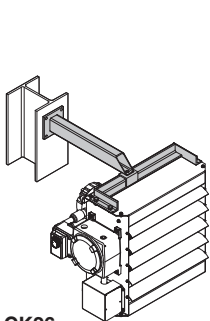
### INSTALLATION

- Accessories available

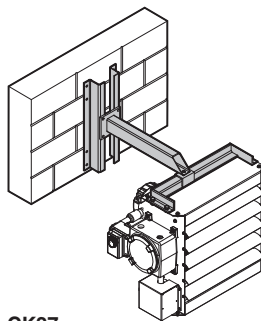
### APPLICATION

- Paint room, petrochemical plant, refinery, chemical plant, mining industry, sawmill

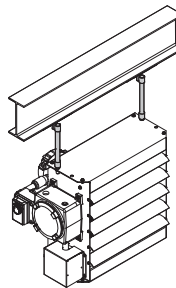
**Consult the Electrical Code in your area before installing this unit.**



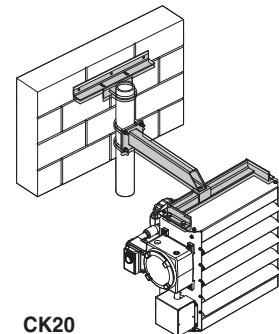
**CK26**  
Basic Mounting Bracket  
Suitable for applications where the support arm can be bolted or welded directly to structural steel or concrete.



**CK27**  
Wall Mounting Bracket  
For use in buildings that have substantial walls. The Z sections provide additional support where necessary.



**CK25**  
Hanging Mounting Bracket  
Ideal and economical if adequate overhead structure exists. Requires 1/2 in. (12.5 mm) pipe, cut and threaded (min. Sch. 40) not supplied.



**CK20**  
Pipe Mounting Bracket  
For buildings with insufficient strength to use other types of mounting brackets. Requires 3 in. (75 mm) pipe (3 1/2 in. [87.5 mm] O.D., min. Sch. 40) not supplied.

# EXUB EXPLOSION-RESISTANT UNIT HEATER continued

## MODELS

		Size	3	5	7	10	15	20	25	30
<b>Heating Capacity</b>		<b>kW</b>	3	5	7.5	10	15	20	25	30
		<b>MBH</b>	10	17	26	34	51	68	85	102
<b>Airflow</b>		<b>cfm</b>	350	400	600	800	1200	1700	2100	3000
		<b>°F</b>	32	38.1	40.4	38.8	39.1	37.3	37.5	31.5
<b>Temperature Rise</b>		<b>°C</b>	18	21.2	22.4	21.6	21.7	20.7	20.8	17.5
<b>T° Code</b>			T3B = 329°F / 165°C							
<b>Ship Weight</b>		<b>Lbs</b>	188	188	188	192	224	224	261	261
		<b>Kg</b>	85.3	85.3	85.3	87.1	101.6	101.6	118.4	118.4
<b>Factory Installed Options</b>										
<b>Supply Voltage/Phase</b>	208/1	<b>AK2</b>	✓	✓	✓	■	■	■	■	■
	208/3	<b>AK5</b>	✓	✓	✓	✓	✓	■	■	■
	240/1	<b>AK3E</b>	✓	✓	✓	✓	■	■	■	■
	240/3	<b>AK6E</b>	✓	✓	✓	✓	✓	■	■	■
	480/3	<b>AK7E</b>	✓	✓	✓	✓	✓	✓	✓	✓
	600/3	<b>AK8E</b>	✓	✓	✓	✓	✓	✓	✓	✓
<b>Internal Thermostat</b>		<b>IX34</b>	✓	✓	✓	✓	✓	✓	✓	✓
<b>Control Voltage</b>	120V Controls	<b>STD</b>	✓	✓	✓	✓	✓	✓	✓	✓
	24V Controls	<b>BT1</b>	✓	✓	✓	✓	✓	✓	✓	✓
<b>Disconnect Switch</b>		<b>BAX1</b>	✓	✓	✓	✓	✓	✓	✓	✓
<b>Field Installed Options (shipped separately)</b>										
<b>Mounting Accessories</b>		<b>Size</b>	3	5	7	10	15	20	25	30
	Pipe hanger brackets (1/2" pipe not included)	<b>CK25</b>	✓	✓	✓	✓	✓	✓	✓	✓
	Wall mounting arm with flange (bolt or weld to steel or concrete)	<b>CK26</b>	✓	✓	✓	✓	✓	✓	✓	✓
	Wall mounting arm with "Z" supports (block wall)	<b>CK27</b>	✓	✓	✓	✓	✓	✓	✓	✓
	Pole mounting arm (requires 3.5" OD pipe - not included)	<b>CK20</b>	✓	✓	✓	✓	✓	✓	✓	✓
		<b>CK25</b>	5	5	5	5	5	5	5	5
		<b>CK26</b>	17	17	17	17	19	19	20	20
	Ship Weight (lbs)	<b>CK27</b>	24	24	24	24	26	26	27	27
	<b>CK20</b>	24	24	24	24	26	26	27	27	
<b>Explosion-Resistant Wall Thermostat (40°-80°F)</b>		<b>CX1</b>	✓	✓	✓	✓	✓	✓	✓	✓
<b>Explosion-Resistant Wall Disconnect Switch</b>		<b>XDC-01</b>	✓	✓	✓	✓	✓	✓	✓	✓

Standard color is red.

## APPROVED LOCATIONS

Class I, Divisions 1 and 2, Groups C and D.

Class II, Divisions 1 and 2, Groups F and G.

Temperature code: T3B (5 to 30kW), T3A (35kW).

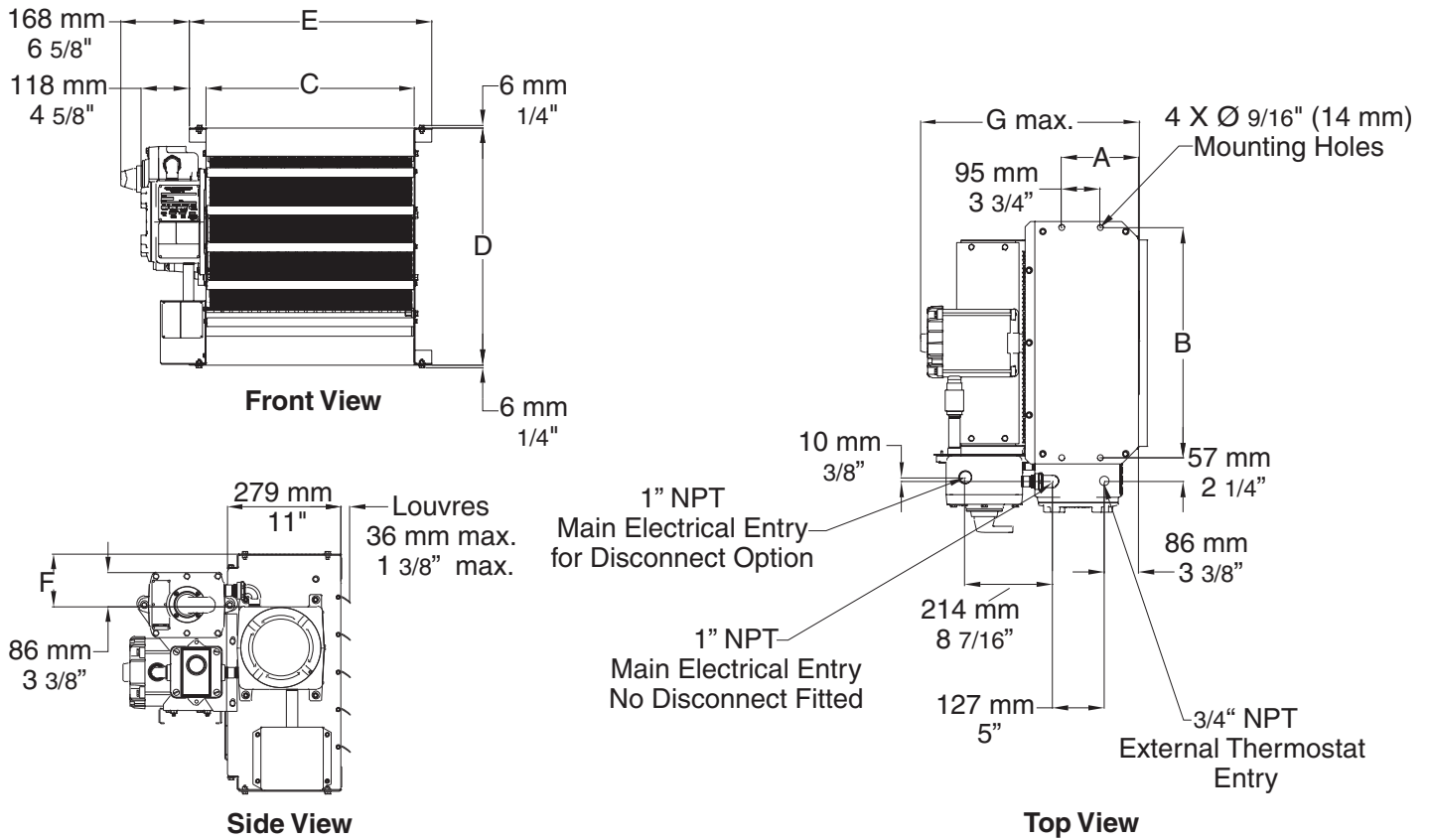
Class I, Zones 1 & 2, Groups IIA & IIB, T3.

## TEMPERATURE LIMITATIONS

Ambient temperature: -45 °C to 40 °C (-49 °F to 104 °F).

Maximum altitude: 3048 m (10 000 ft.) above sea level.

# EXUB EXPLOSION-RESISTANT UNIT HEATER continued



Models	5 - 10kW		15 - 20kW		25 - 35kW	
	inch	mm	inch	mm	inch	mm
Fan	12	305	16	406.4	20	508
A	7.5	190.5	7.5	190.5	7.5	190.5
B	18.19	462	22.28	566	26.26	667
C	16.3	414	20.28	515	24.29	617
D	19	483	23	584	27	686
E	19.45	494	23.46	596	27.44	697
F	3.1	79	5.1	130	7.1	180
G	22.25	565	22.25	565	23.25	591

# EWHB WASH DOWN UNIT HEATER

## FEATURES

### VOLTAGE

- 208V, 240V, 480V, 600V, 1 or 3-phase

### CONSTRUCTION

- 16-gauge, stainless steel, moisture and corrosion resistant housing
- Adjustable, stainless steel outlet louvres
- Stainless steel rear grille to protect against accidental contact with the fan blade
- High-limit temperature control with automatic reset (manual reset available upon request)
- NEMA 4X non-metallic electrical enclosure
- Disconnect switch (40A max.) available

### FAN

- Anodized aluminum, delayed-action fan.
- Enclosed motor with permanently lubricated ball bearing for longer life
- Epoxy-painted fan

### HEATING ELEMENT

- Sealed tubular heating element with stainless steel fins

### CONTROL

- 24V control circuit with transformer and contactor
- Built-in capillary thermostat included
- Pilot light "power-on indicator" included
- Fan switch control available

## MODELS

	Size	3	5	7	10	15	20	25	30	38
Heating Capacity	kW	3	5	7.5	10	15	20	25	30	38.4
	MBH	10	17	26	34	51	68	85	102	131
Airflow	cfm	700	700	700	1450	2400	2400	2400	2400	2400
Temperature Rise	°F	14	24	35	22	21	28	35	42	54
	°C	8	13	19	12	12	16	19	23	30
Air Throw	Ft	26	26	26	43	50	50	50	50	50
	M	8	8	8	13	15	15	15	15	15
Ship Weight	Lbs	70	70	70	70	130	130	130	130	130
	Kg	32	32	32	32	59	59	59	59	59

#### Factory Installed Options

Supply Voltage/ Phase	208/1	AK2	✓	✓	✓	■	■	■	■	■
	208/3	AK5	✓	✓	✓	✓	■	■	■	■
	240/1	AK3E	✓	✓	✓	✓	■	■	■	■
	240/3	AK6E	✓	✓	✓	✓	■	■	■	■
	480/3	AK7E	✓	✓	✓	✓	✓	✓	✓	✓
	600/3	AK8E	✓	✓	✓	✓	✓	✓	✓	✓
Control Voltage	24V Controls with Contactor	STD	✓	✓	✓	✓	✓	✓	✓	✓
Fan Switch	Unit Mounted, Water Tight	BF4B	✓	✓	✓	✓	✓	✓	✓	✓
Disconnect Switch	Water Tight, 600V, 3-Pole, 40A	BA5A	✓	✓	✓	✓	✓	✓	✓	■
Pilot Light	(included)	BE13								
Thermostat	Internal, Water Tight (included)	ICI8	✓	✓	✓	✓	✓	✓	✓	✓

#### Field Installed Options (shipped separately)

	Size	3	5	7	10	15	20	25	30	38
Thermostat	NEMA 4X, range 4 °C to 43 °C (40 °F to 110 °F): 25A at 120V, 208V, 240V - 22A at 277V	CL5A	✓	✓	✓	✓	✓	✓	✓	✓



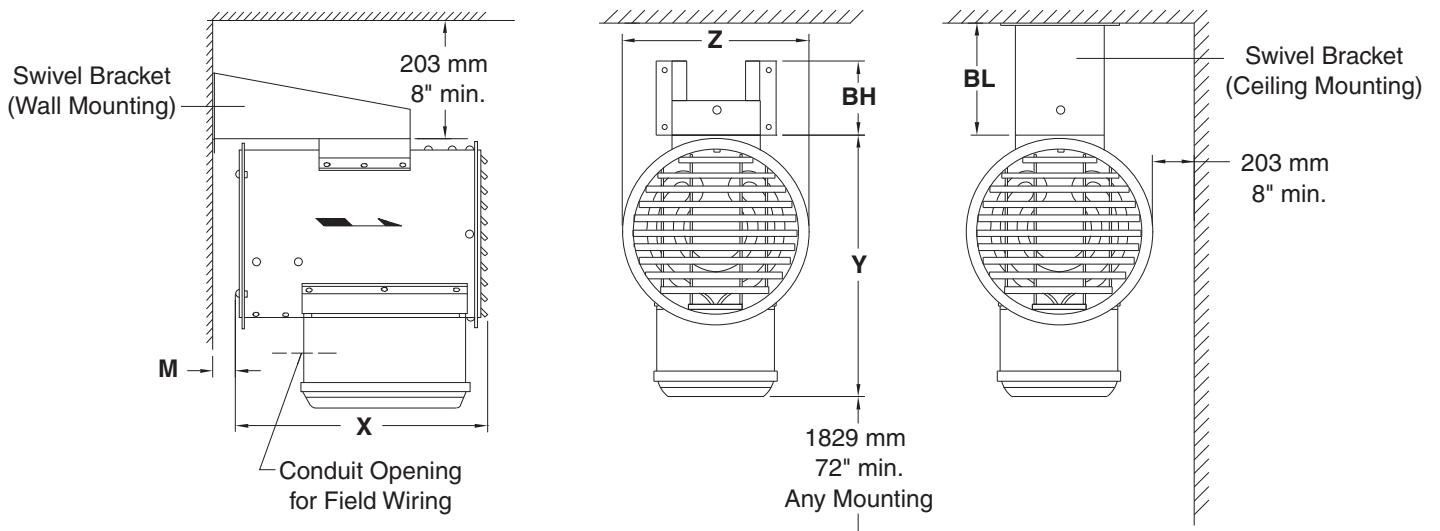
### INSTALLATION

- Electrical enclosure located at bottom of unit for ease of installation and servicing
- Stainless steel swivel mounting bracket included, for wall or ceiling mounting

### APPLICATION

- Food industry, water treatment plant, marine and offshore, car wash, dairy

# EWHB WASH DOWN UNIT HEATER continued



Models	X		Y		Z		BH		BL		M		Weight <sup>1</sup>	
	inch	mm	inch	mm	inch	mm	inch	mm	inch	mm	inch	mm	inch	mm
3 - 7.5kW	390	15 1/2	550	21 1/2	330	13	110	4 1/4	490	19 1/8	220	8 1/2	70	32
7.6 - 12kW	390	15 1/2	550	21 1/2	330	13	110	4 1/4	490	19 1/8	220	8 1/2	70	32
12.1 - 47kW	660	26	710	28	510	20	180	7 1/8	570	22 1/4	80	3 1/4	130	60

<sup>1</sup> Shipping weight.



# ECR/ECS CEILING FORCED-AIR DIFFUSER

## FEATURES

### COLOR

- White or almond options

### FINISH

- Standard: epoxy/polyester powder paint

### VOLTAGE

- 208V, 240V, 277V, 347V, 480V, 600V, 1 or 3-phase

### CONSTRUCTION

- Outlet grille made of flat ribbon wire
- High-limit temperature control with automatic reset

### FAN

- Totally enclosed and lifetime-lubricated ball bearing motor
- Fan delay purges heater of residual heat

### HEATING ELEMENT

- Three stainless steel tubular heating elements with aluminum fins

### CONTROL

- Line voltage control standard
- Built-in 240V contactor for: all units from 5 to 10kW, all units at 347V, 480V, 600V, all units at 3-phase
- 24V and 120V control circuit available
- Built-in tamper-proof thermostat available
- 24V relay (with or without transformer) available
- Continuous circulation controlled by a built-in switch with power-on indicator light available (-CV)

**Any remote thermostat or relay must be connected to the heater control terminal block**



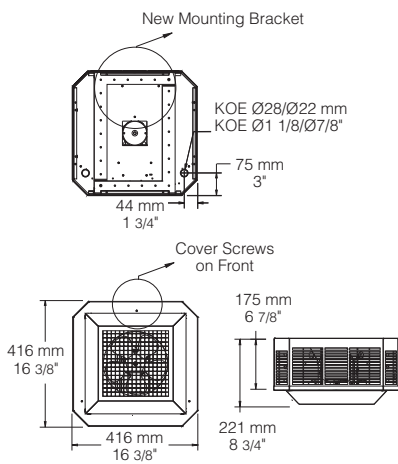
## INSTALLATION

- Recommended height: between 8 ft (2.4 m) and 12 ft (3.6 m)
- Recessed into insulated or T-bar ceiling (ECR)
- Surface mounting (ECS)

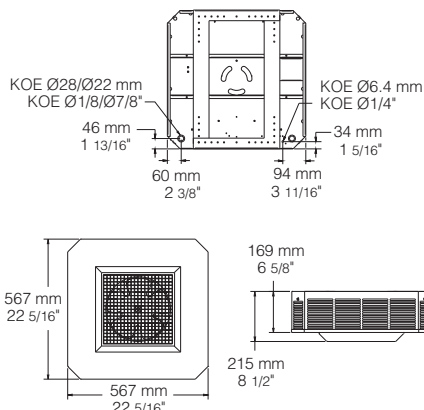
## APPLICATION

- Apartment building, commercial building, drop ceiling, stairwell, garage

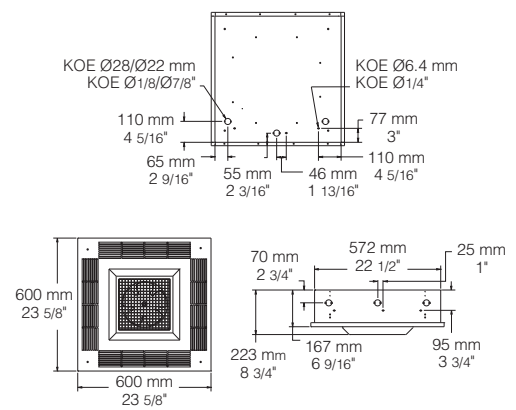
**ECS - Surface**  
2-5kW, 25 lbs (11.4 kg)



**ECS - Surface**  
7.5-10kW, 34 lbs (15.5 kg)



**ECR - Recessed**  
2-5kW, 31 lbs (14.1 kg)



# ECR/ECS CEILING FORCED-AIR DIFFUSER continued

## MODELS

ECS	Ceiling Fan Heater - Forced Air Diffuser, Ceiling Surface Mounted	Heating Capacity	Size	2	3	4	5	7	10
			W	2000	3000	4000	5000	7500	10000
		BTUH	6800	10250	13650	17075	25600	34150	
		cfm	310	310	310	310	600	600	
		Ship Weight	Lbs	25/31	25/31	25/31	25/31	34	34
			Kg	11/14	11/14	11/14	11/14	15	15

ECR	Ceiling Fan Heater - Forced Air Diffuser, Ceiling Recessed Mounted	Heating Capacity	Size	2	3	4	5
			W	2000	3000	4000	5000
		BTUH	6800	10250	13650	17075	
		cfm	310	310	310	310	
		Ship Weight	Lbs	31	31	31	31
			Kg	14	14	14	14

### Factory Installed Options

Supply Voltage/Phase	208/1 <sup>6</sup>	AK2	✓	✓	✓	✓	✓	✓
	208/3 <sup>6</sup>	AK5	✓	✓	✓	✓	✓	✓
	240/1	AK3E	✓	✓	✓	✓	✓	✓
	240/3	AK6E	✓	✓	✓	✓	✓	✓
	277/1	AK4	✓	✓	✓	✓	✓	✓
	347/1	AK34	✓	✓	✓	✓	✓	✓
	480/1	AK9E	✓	✓	✓	✓	✓	✓
	480/3	AK7E	✓	✓	✓	✓	✓	✓
	600/1	AK10	✓	✓	✓	✓	✓	✓
Cabinet Color (Lead times may be increased for color other than white)	White	HK1	✓	✓	✓	✓	✓	✓
	Almond	HK2	✓	✓	✓	✓	✓	✓
Control Voltage	208V, 240V, 277V <sup>1</sup>	STD	✓	✓	✓	✓	✓	✓
	24V Relay with Transformer	BT1	✓	✓	✓	✓	✓	✓
	120V Control Circuit	BT2	✓	✓	✓	✓	✓	✓
Internal Tamper-proof Thermostat		ICI5	✓	✓	✓	✓	✓	✓
Disconnect Switch <sup>2</sup>	Up to 277V, 2-Pole, 20A	BA21	✓	✓	✓	✓	■	■
	600V, 3-Pole, 40A	BA14	✓	✓	✓	✓	✓	✓
	600V, 3-Pole, 80A	BA15	✓	✓	✓	✓	✓	✓
Terminals for Remote Fan	Includes Pilot Light	BB12	✓	✓	✓	✓	✓	✓

### Field Installed Options (shipped separately)

		Size	2	3	4	5	7	10
Wall Mounted Thermostat	Single-pole, low-voltage <sup>3</sup>	CL1A	✓	✓	✓	✓	✓	✓
	Single-pole, single-stage	CL5	✓	✓	✓	✓	✓	✓
24V Control Relay Kit <sup>4</sup>	Without transformer	IR24	✓	✓	✓	✓	✓	✓
Mounting Accessory <sup>5</sup>	Adapter for T-Bar ceiling (Model ECS only)	CK20	✓	✓	✓	✓	■	■

<sup>1</sup> 208V/240V is standard on all units except 277V/1. Contactors are standard on 3-phase units and single phase units 5 kW and larger or over 300V.

<sup>2</sup> For the U.S. only: The nominal current of the unit must not exceed 80% of the capacity of the disconnect.

<sup>3</sup> CL1A thermostat requires option BT1

<sup>4</sup> IR24: 24V signal by others (multiple units per thermostat).

<sup>5</sup> For surface mount Model ECS only. Model ECR lays into T-Bar grid. No adapter is required.

<sup>6</sup> ECS10 is rated at 9.9kW at 208V.



# EMC FORCED-AIR CABINET UNIT HEATER



## FEATURES

### COLOR

- White or almond options

### FINISH

- Standard: epoxy/polyester powder paint

### VOLTAGE

- 208V, 240V, 277V, 347V, 480V, 600V, 1 or 3-phase

### CONSTRUCTION

- 18-gauge steel
- Extruded aluminum bar grilles prevent insertion of foreign objects
- Field changeable air inlet and outlet
- High-limit temperature control with automatic reset
- 240V control circuit included
- Optional fresh air inlet damper
- Optional air filters

### FAN

- Direct drive, variable speed squirrel-cage fan operating
- Fan delay
- 240/208V factory-lubricated motor (1/15 HP)
- 2 speed-motor available (1600/1500 rpm)

### HEATING ELEMENT

- Durable tubular heating element with fins

### CONTROL

- Wide range of control available

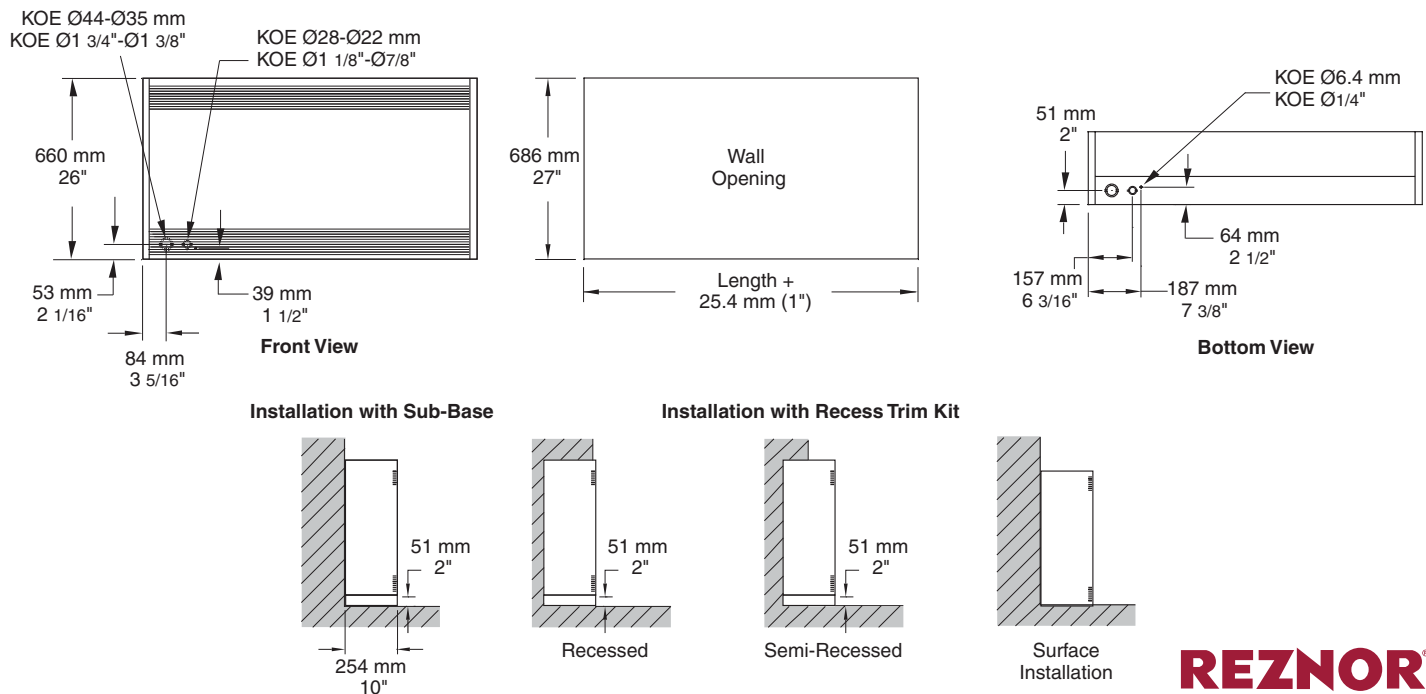
**Manufacturer highly recommends the use of a wall thermostat for greater comfort.**

### INSTALLATION

- Multi-position mounting (surface, semi-recessed, recessed)
- Maximum recommended installation height: 10 ft (3 m)
- Recess trim kit available for recessed or semi-recessed units
- Sub-base and special back plate available

### APPLICATION

- Hallway, entry way, exhibition center



**REZNOR**

# EMC FORCED-AIR CABINET UNIT HEATER continued

## MODELS

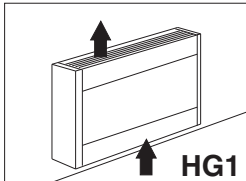
		Size	2	3	4	5	6	8	10	12	15	18	20	24
Heating Capacity	High	W	2000	3000	4000	5000	6000	8000	10000	12000	15000	18000	20000	24000
		MBH	6825	10250	13650	17075	20500	27325	34150	40975	51225	61475	68300	81950
Airflow	High	W	1333	1000	2667	3333	4000	4000	5000	6000	10000	12000	10000	12000
	Low	MBH	4550	3400	9100	11375	13650	13650	17075	20500	34150	40975	34150	40975
Ship Weight	High	cfm	250	250	250	250	250	500	500	500	750	750	1000	1000
	Low	cfm	200	200	200	200	200	400	400	400	600	600	800	800
Cabinet Lengths		Lbs	115	115	115	115	115	146	146	146	210	210	240	240
		Kg	52.3	52.3	52.3	52.3	52.3	66.4	66.4	66.4	95.5	95.5	109.1	109.1
Factory Installed Options		in	28	28	28	28	28	48	48	48	66	66	80	80
		mm	711	711	711	711	711	1219	1219	1219	1676	1676	2032	2032
Supply Voltage/Phase	208/1	AK2	✓	✓	✓	✓	✓	✓	✓	✓	✓	✓	✓	✓
	208/3	AK5	✓	✓	✓	✓	✓	✓	✓	✓	✓	✓	✓	✓
	240/1	AK3E	✓	✓	✓	✓	✓	✓	✓	✓	✓	✓	✓	✓
	240/3	AK6E	✓	✓	✓	✓	✓	✓	✓	✓	✓	✓	✓	✓
	277/1	AK4	✓	✓	✓	✓	✓	✓	✓	✓	✓	✓	✓	✓
	347/1	AK34	✓	✓	✓	✓	✓	✓	✓	✓	■	■	■	■
	480/1	AK9E	✓	✓	✓	✓	✓	✓	✓	✓	■	■	■	■
	480/3	AK7E	✓	✓	✓	✓	✓	✓	✓	✓	✓	✓	✓	✓
	600/1	AK10	✓	✓	✓	✓	✓	✓	✓	✓	✓	✓	✓	✓
Cabinet Color (Lead times may be increased for color other than white)	White (STD)	HK1	✓	✓	✓	✓	✓	✓	✓	✓	✓	✓	✓	✓
	Almond	HK2	✓	✓	✓	✓	✓	✓	✓	✓	✓	✓	✓	✓
Control Voltage	208V, 240V <sup>1</sup>	STD	✓	✓	✓	✓	✓	✓	✓	✓	✓	✓	✓	✓
	24V with transformer	BT1	✓	✓	✓	✓	✓	✓	✓	✓	✓	✓	✓	✓
Unit Mounted Switches	On / Standby / Heating Switch	BF10	✓	✓	✓	✓	✓	✓	✓	✓	✓	✓	✓	✓
	On / Auto Fan Switch	BF23	✓	✓	✓	✓	✓	✓	✓	✓	✓	✓	✓	✓
	Hi / Low Fan / Heat Switch	BF24	✓	✓	✓	✓	✓	✓	✓	✓	✓	✓	✓	✓
Fresh Air Inlet <sup>2</sup>	with Manual Damper	ARB2	✓	✓	✓	✓	✓	✓	✓	✓	✓	✓	✓	✓
	with Motorized Damper	ARB4	✓	✓	✓	✓	✓	✓	✓	✓	✓	✓	✓	✓
Disconnect Switch <sup>3</sup>	600V, 3-Pole, 40A	BA14	✓	✓	✓	✓	✓	✓	✓	✓	✓	✓	✓	✓
	600V, 3-Pole, 80A	BA15	✓	✓	✓	✓	✓	✓	✓	✓	✓	✓	✓	✓
Branch Circuit Fusing		BA12	✓	✓	✓	✓	✓	✓	✓	✓	✓	✓	✓	✓
Manual High Limit		BD6	✓	✓	✓	✓	✓	✓	✓	✓	✓	✓	✓	✓
Internal Tamper-proof Thermostat	1-Stage	IC15	✓	✓	✓	✓	✓	✓	✓	✓	✓	✓	✓	✓
<b>Field Installed Options (shipped separately)</b>														
Wall Mounted Thermostats	Single-pole, low-voltage thermostat <sup>4</sup>	CL1A	✓	✓	✓	✓	✓	✓	✓	✓	✓	✓	✓	✓
	Single-pole, single stage thermostat	CL5	✓	✓	✓	✓	✓	✓	✓	✓	✓	✓	✓	✓
24V Relay Kit <sup>5</sup>	Without transformer	IR24	✓	✓	✓	✓	✓	✓	✓	✓	✓	✓	✓	✓
	24V relay with transformer <sup>6</sup>	IR2B	✓	✓	✓	✓	✓	✓	✓	✓	✓	✓	✓	✓
Filters (Wall Mounted Units Only)	Standard	HZ3	✓	✓	✓	✓	✓	✓	✓	✓	✓	✓	✓	✓
	Washable	HX4	✓	✓	✓	✓	✓	✓	✓	✓	✓	✓	✓	✓
Sub-Base	2" sub-base for wall mount	HY7	✓	✓	✓	✓	✓	✓	✓	✓	✓	✓	✓	✓
Color Matched Trim Options	Recessed trim kit													
	Smooth finish back plate <sup>7</sup>													

<sup>1</sup> Standard voltage is 208V/240V unless otherwise noted.  
<sup>2</sup> Do not install a built-in thermostat with these options.  
<sup>3</sup> For the U.S. only: The nominal current of the unit must not exceed 80% of the capacity of the disconnect.  
<sup>4</sup> CL1A thermostat requires BT1 option.  
<sup>5</sup> IR24: 24V signal by others (multiple units per thermostat). IR2B: for 24V thermostat on each unit.  
<sup>6</sup> All heaters have 240V control circuit.  
<sup>7</sup> For mounting heater on glass wall. Configuration HG3, HG4, HG6, & HG8 only.

# EMC FORCED-AIR CABINET UNIT HEATER continued

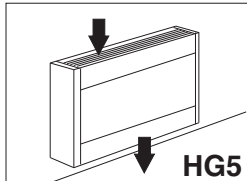
## Wall Mounting

Top



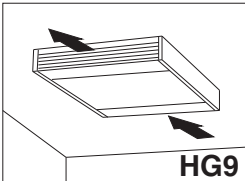
HG1

Bottom

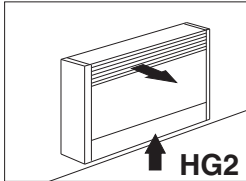


HG5

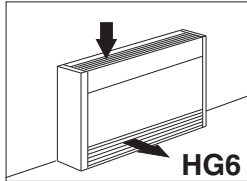
## Ceiling Mounting



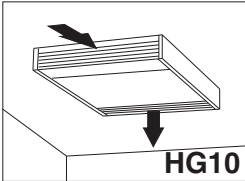
HG9



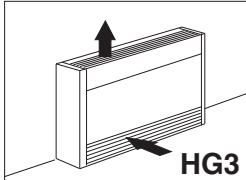
HG2



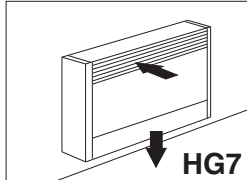
HG6



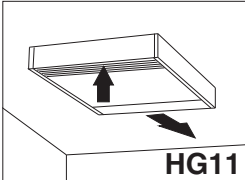
HG10



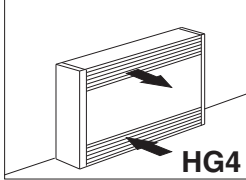
HG3



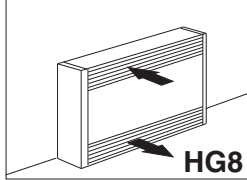
HG7



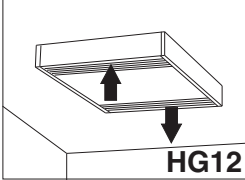
HG11



HG4

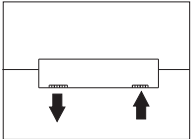


HG8

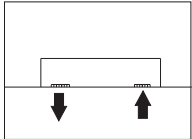


HG12

## Ceiling



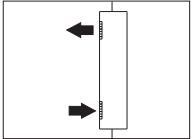
Semi-Recessed



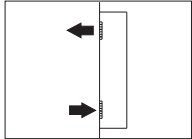
Recessed

HG12 Type Mounting Only

## Wall



Semi-Recessed



Recessed

HG4 and HG8 Type Mounting Only



# EHA FORCED-AIR ARCHITECTURAL WALL HEATER



## FEATURES

### COLOR

- White or almond options

### FINISH

- Standard: epoxy/polyester powder paint
- Optional: anodized aluminum

### VOLTAGE

- 120V, 208V, 240/208V, 277V, 347V, 480V, 600V, 1-phase

### CONSTRUCTION

- Extruded aluminum front grille, 1/8 in. (3.2 mm) thick
- Bottom air outlet
- High-limit temperature control with automatic reset

### FAN

- Closed, factory-lubricated motor
- 160 cfm fan (single unit: 55 dBA); 2 X 160 cfm fan (double unit: 58 dBA), 3 X 160 cfm fan (triple unit: 61 dBA)
- Fan delay purges heater of residual heat

### HEATING ELEMENT

- Durable tubular heating element with fins

### CONTROL

- Built-in tamper proof thermostat included
- 24V relay, with or without transformer available

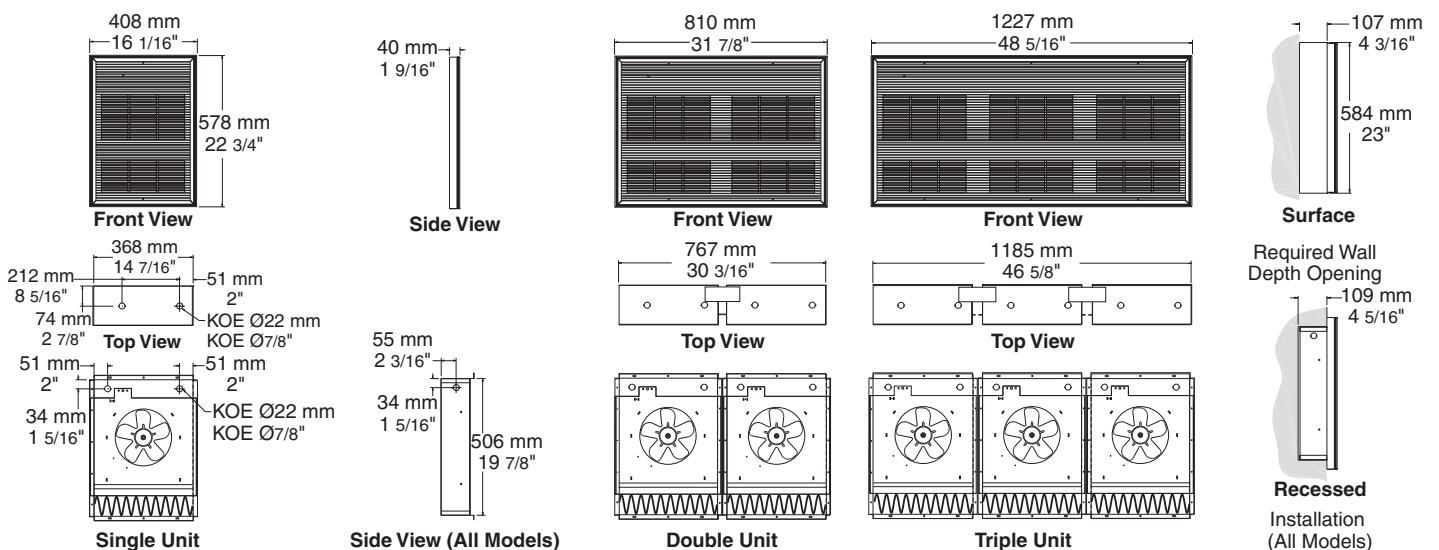
**Note: Thermostat is not included in heater with factory installed relay. Any remote thermostat or relay must be connected to the heater control terminal block.**

### INSTALLATION

- Minimum clearance from the floor and adjacent walls: 10 in. (25.4 cm).
- Adaptor for surface mounting available.
- Up to 3 units can be mounted side-by-side

### APPLICATION

- Apartment building, commercial building, entrance way, stairwell, garage



# EHA FORCED-AIR ARCHITECTURAL WALL HEATER continued

## MODELS

		Size	1	2	3	4	5
Heating Capacity	W		1500	2000	3000	4000	4800
	BTUH		5125	6825	10250	13660	16400
Ship Weight	Lbs		24	24	24	24	24
	Kg		10.9	10.9	10.9	10.9	10.9
<b>Factory Installed Options</b>							
Supply Voltage/Phase	120/1	AK1E	✓	■	■	■	■
	208/1	AK2	■	✓	■	✓	✓
	240/1 <sup>1</sup>	AK3E	✓	✓	✓	✓	■
	277/1	AK4	✓	✓	✓	✓	✓
	480/1	AK9E	✓	✓	✓	✓	✓
Cabinet Color (Lead times may be increased for color other than white)	White	HK1	✓	✓	✓	✓	✓
	Almond	HK2	✓	✓	✓	✓	✓
Thermostat	Hidden, tamper-proof, built-in thermostat	STD	✓	✓	✓	✓	✓
Control Voltage	120V, 208V, 240V, 277V & 480V	STD	✓	✓	✓	✓	✓
	24V Relay with transformer <sup>2</sup>	BT1	✓	✓	✓	✓	✓
Disconnect Switch <sup>3</sup>	Up to 277V, 2-pole, 20A	BA21	✓	✓	✓	✓	✓
	600V max., 3-pole, 40A	BA14	✓	✓	✓	✓	✓
<b>Field Installed Options (shipped separately)</b>							
Color Matched Trim Packages	Surface mounting box required for non-recessed units	Size HY6	1	2	3	4	5
			✓	✓	✓	✓	✓

<sup>1</sup> Units with Option AK3E (240V supply voltage) can be connected to 208V power supply, but heating output will be reduced by 25%.

<sup>2</sup> Built-in transformer is not included with 24V control voltage (Option BT1).

<sup>3</sup> For the U.S. only: The nominal current of the unit must not exceed 80% of the capacity of the disconnect.



# EHC COMMERCIAL WALL HEATER

## FEATURES

### COLOR

- White or almond options

### FINISH

- Standard: epoxy/polyester powder paint

### VOLTAGE

- 120V, 208V, 240/208V, 277V, 347V, 480V, 600V, 1 or 3-phase

### CONSTRUCTION

- 18-gauge steel front cover
- Bottom air outlet
- High-limit temperature control with automatic reset

### FAN

- Closed, factory-lubricated motor
- 160 cfm fan (single unit: 55 dBA); 2 X 160 cfm fan (double unit: 58 dBA); 3 X 160 cfm fan (triple unit: 61 dBA)
- Fan delay purges heater of residual heat

### HEATING ELEMENT

- Durable tubular heating element with fins

### CONTROL

- Built-in thermostat included with control knob or tamper proof
- 24V relay, with or without transformer available

**Note: Thermostat is not included in heater with factory installed relay. Any remote thermostat or relay must be connected to the heater control terminal block.**

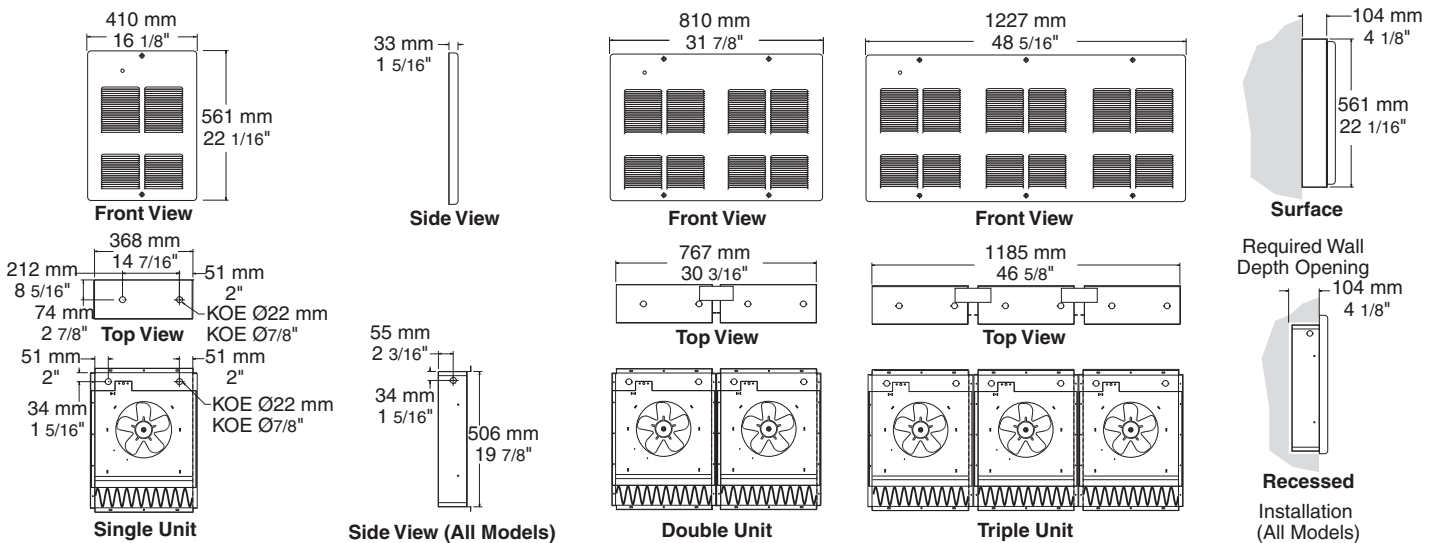


### INSTALLATION

- Minimum clearance from the floor and adjacent walls: 10 in. (25.4 cm).
- Adaptor for surface mounting available.
- Up to 3 units can be mounted side-by-side

### APPLICATION

- Apartment building, commercial building, entrance way, stairwell, garage



# EHC COMMERCIAL WALL HEATER continued

## MODELS

		Size	1	2	3	4	5	6	8	12
Heating Capacity	W		1500	2000	3000	4000	4800	6000	8000	12000
	BTUH		5125	6825	10250	13660	16400	20500	27620	40975
Ship Weight	Lbs		24	24	24	24	24	90.0	50	90.0
	Kg		10.9	10.9	10.9	10.9	10.9	40.9	22.7	40.9
<b>Factory Installed Options</b>										
Supply Voltage/ Phase	120/1	AK1E	✓	■	■	■	■	■	■	■
	208/1	AK2	■	✓	■	✓	✓	■	✓	■
	208/3	AK5	■	■	■	■	■	■	■	✓
	240/1 <sup>1</sup>	AK3E	✓	✓	✓	✓	✓	✓	✓	✓
	240/3	AK6E	■	■	■	■	■	■	■	✓
	347/1	AK34	✓	✓	✓	✓	✓	✓	✓	✓
	480/1	AK9E	✓	✓	✓	✓	✓	✓	✓	✓
	480/3	AK7E	■	■	■	■	■	■	■	✓
	600/1	AK10	✓	✓	✓	✓	✓	✓	✓	✓
	600/3	AK8E	■	■	■	■	■	■	■	✓
Cabinet Color	White	HK1	■	■	■	■	■	■	■	✓
	Almond	HK2	✓	✓	✓	✓	✓	✓	✓	✓
Control Voltage	208V, 240V <sup>2</sup>	STD	✓	✓	✓	✓	✓	✓	✓	✓
Unit Mounted Fan Switch		BF23	✓	✓	✓	✓	✓	✓	✓	✓
Disconnect Switch <sup>3</sup>	Up to 277V, 2-pole, 20A	BA21	✓	✓	✓	✓	✓	✓	✓	✓
	600V, 3-pole, 40A	BA14	✓	✓	✓	✓	✓	✓	✓	✓
	600V, 3-pole, 80A	BA15	✓	✓	✓	✓	✓	✓	✓	✓
<b>Field Installed Options (shipped separately)</b>										
Color Matched Trim Packages	Surface mounting box required for non-recessed units	HY6	✓	✓	✓	✓	✓	✓	✓	✓
	1" recessed trim kit	HY4A	✓	✓	✓	✓	✓	✓	✓	✓
	2" recessed trim kit	HY4B	✓	✓	✓	✓	✓	✓	✓	✓

<sup>1</sup> Units with Option AK3E (240V supply voltage) can be connected to 208V power supply, but heating output will be reduced by 25%.

<sup>2</sup> 208V/240V control (& fan motor) is standard on all units.

<sup>3</sup> For the U.S. only: The nominal current of the unit must not exceed 80% of the capacity of the disconnect.



# EHL RESIDENTIAL WALL HEATER

## FEATURES

### COLOR

- White or almond options

### FINISH

- Standard: epoxy/polyester powder paint

### VOLTAGE

- 120V, 208V, 240/208V, 1-phase

### CONSTRUCTION

- 20-gauge steel cabinet
- 22-gauge steel front cover
- High-limit temperature control with automatic reset

### FAN

- Quiet fan operating
- 500W to 1000W; 40 cfm fan and 1250W to 2000W; 80 cfm fan
- Factory-lubricated motor

### HEATING ELEMENT

- Durable tubular heating element with fins
- Factory sealed element upon request



### CONTROL

- Built-in thermostat available with a control knob or tamper-proof.

**Note: If an electronic thermostat is used, it must be compatible with forced-air heaters.**

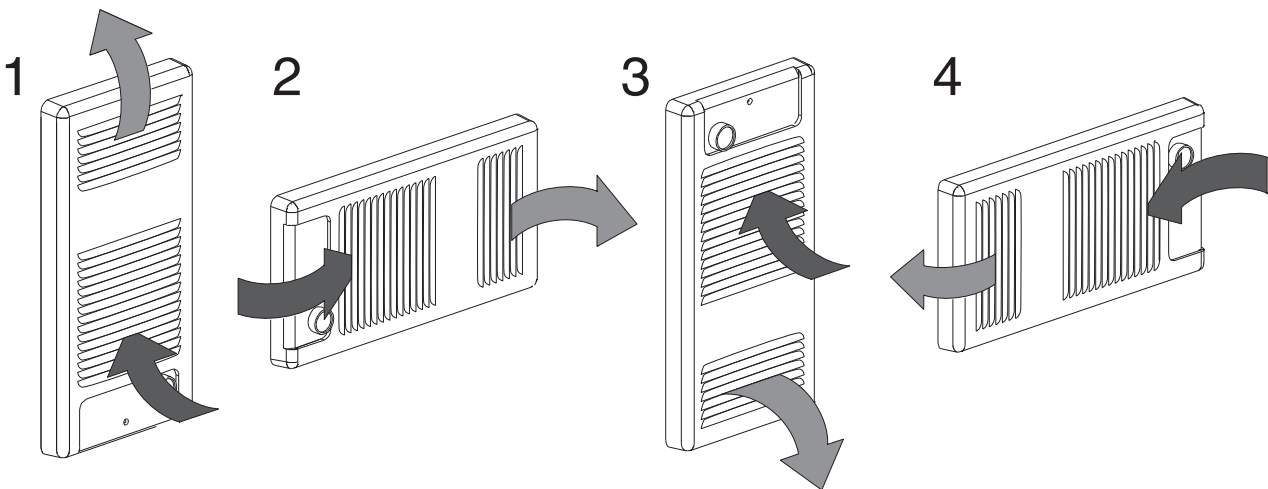
### INSTALLATION

- The air outlet should be installed at least 10 in. (25.4 cm) above floor
- Quick installation with recess box mounting holes
- Large wiring compartment
- May be recessed in 2 in. X 3 in. stud partitions
- Surface mounting box available
- Tight fit with V-shaped recess box

### APPLICATION

- Entrance way, kitchen, bathroom, family room, basement

Four mounting positions available. Pictures showing front panel. Directional vane airflow.





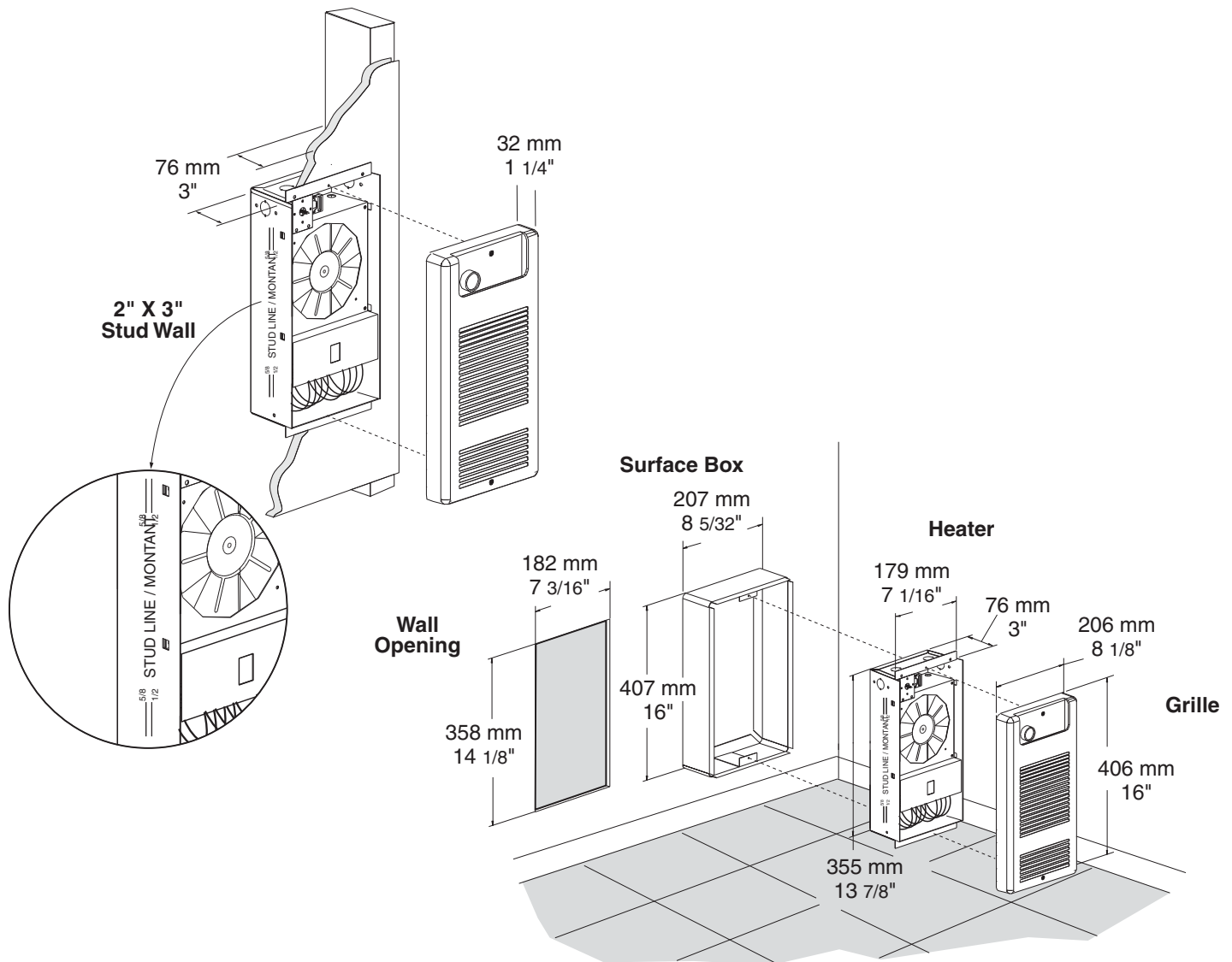
# EHL RESIDENTIAL WALL HEATER continued

## MODELS

		Size	1000	1500	2000
Heating Capacity	W		1000	1500	2000
	BTUH		3415	5125	6825
Ship Weight	Lbs		9	9	9
	Kg		4	4	4
<b>Factory Installed Options</b>					
Country Code	Canadian Destination/Approvals	BY15	✓	✓	✓
	US Destination/Approvals	BY16	✓	✓	✓
Supply Voltage/Phase	120/1	AK1	✓	✓	■
	240/1 <sup>1</sup>	AK3E	✓	✓	✓
Cabinet Color	White	HK1	✓	✓	✓
	Almond	HK2	✓	✓	✓
Thermostat	Thermostat with control knob	IC15	✓	✓	✓
Disconnect Switch <sup>2</sup>	277 max., 20A	BA21	✓	✓	✓
<b>Field Installed Options (shipped separately)</b>					
		Size	1	2	3
Color Matched Trim Packages	Surface mounting box required for non-recessed units	HY6	✓	✓	✓

<sup>1</sup> Units with Option AK3E (240V supply voltage) can be connected to 208V power supply, heating capacity will be reduced by 25%

<sup>2</sup> For the U.S. only: The nominal current of the unit must not exceed 80% of the capacity of the disconnect.



# EBHB ELECTRIC BASEBOARD HEATER

## FEATURES

### COLOR

- Standard: Semi-gloss powdered paint finish in white, almond optional
- Optional Special Stock Finishes: See special color chart for available finishes

### FINISH

- Standard: 4H pencil hardness epoxy/polyester powder coat paint
- May be repainted with any interior paint

### VOLTAGE

- 120V, 208V, 240/208V, 277V, 347V, 480V, 600V, 1-phase

### CONSTRUCTION

- Robust 22-gauge tight fit body
- Sturdy 20-gauge front panel with design embossed lines
- Welded 20-gauge junction box to back wrap, easy rear access wiring panel
- Rounded upper corners and junction box sides
- Linear high-limit temperature control with automatic reset
- High altitude version available (-HA) up to 8200 ft

### FAN

- Quiet fan operating
- 500W to 1000W; 40 cfm fan and 1250W to 2000W; 80 cfm fan
- Factory-lubricated motor

### HEATING ELEMENT

- Stainless steel tubular heating element with aluminum fins
- Floating stainless steel heating element on high-temperature nylon bushings eliminating expansion noises
- Aluminum diamond shape element fins position for maximized heat transfer
- Element locked in place by screw on a stainless steel support

### DIMENSION

- See Table on page 28
- Small height and slim depth for economy of space
- Standard watt density and low watt density models



### CONTROL

- A wide selection of built-in controls available
- Built-in thermostat kit can be installed at either end
- Built-in relay kit fits in the right end box only
- A compartment for low voltage connections (located directly under the junction box) facilitates the installation of low voltage relay in electric baseboard

**Manufacturer highly recommends using an electronic wall thermostat for greater comfort and efficiency.**

### INSTALLATION

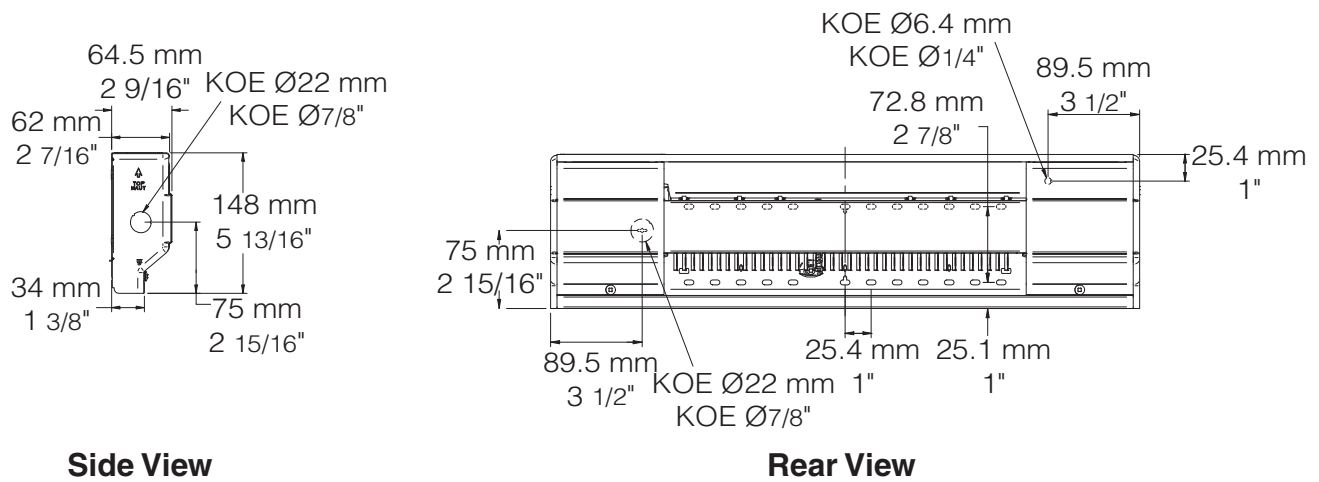
- No disassembly installation with single-screw built-in rear entry wire holder
- Installation directly on the floor with connection box at both ends of the heater
- Two rows of oblong mounting holes with center mark for ease of installation
- Raceway and side knock-outs for baseboard interconnections

**Note: Stainless steel tubular heating element on all sizes eliminates potential for 60 Hz hum. Locked-in-place element, mounting slot holes and overall construction maximizes performance, quality and more.**

### APPLICATION

- Residential and light commercial applications. Living areas, bedrooms, etc

# EBHB ELECTRIC BASEBOARD HEATER continued



## MODELS

		Size	3	5	8	10	13	15	18	20	23 <sup>1</sup>	25 <sup>1</sup>
<b>Heating Capacity</b>		<b>Watts</b>	300	500	750	1000	1250	1500	1750	2000	2250	2500
		<b>BTUH</b>	10	17	26	34		51		68		85
<b>Length</b>		<b>in.</b>	22-3/4	27-3/4	37-3/4	48	60	72	75-1/2	96	93	102-1/4
		<b>mm</b>	577	702	956	1217	1524	1829	1916	2439	2364	2596
<b>Ship Weight</b>		<b>Lbs</b>	4.5	5.4	7.0	8.7	10.7	12.7	13.2	16.6	16.2	17.8
		<b>Kg</b>	2.0	2.4	3.2	3.9	4.9	5.7	6.0	7.5	7.3	8.0
<b>Factory Installed Options</b>												
<b>Supply Voltage/ Phase</b>	120/1	<b>AK1E</b>	✓	✓	✓	✓	✓	✓	■	■	■	■
	208/1	<b>AK15</b>	✓	✓	✓	✓	✓	✓	✓	✓	✓	✓
	240/1 <sup>2</sup>	<b>AK3E</b>	✓	✓	✓	✓	✓	✓	✓	✓	✓	✓
<b>Cabinet Color</b>	White	<b>HK1</b>	✓	✓	✓	✓	✓	✓	✓	✓	✓	✓
	Almond	<b>HK2</b>	✓	✓	✓	✓	✓	✓	✓	✓	✓	✓
	Special Color	<b>SPEC</b>	Call for availability									
<b>High-limit Temperature Control<sup>3</sup></b>	Up to 6,000 ft	<b>AB15</b>	✓	✓	✓	✓	✓	✓	✓	✓	✓	✓
	3,000 to 8200 ft	<b>AB16</b>	✓	✓	✓	✓	✓	✓	✓	✓	✓	✓
<b>Control Voltage</b>	120V, 208V, 240V	<b>STD</b>	✓	✓	✓	✓	✓	✓	✓	✓	✓	✓
	24V Relay	<b>BT1</b>	✓	✓	✓	✓	✓	✓	✓	✓	✓	✓
<b>Field Installed Options (shipped separately)</b>												
		Size	3	5	7	10	13	15	18	20	23 <sup>1</sup>	25 <sup>1</sup>
<b>Wall Mounted Thermostat</b>	Light duty line voltage thermostat; single-pole, single-throw	<b>CL5L</b>	✓	✓	✓	✓	✓	✓	✓	✓	✓	✓
	Light duty line voltage thermostat; double-pole, single-throw	<b>CL5D</b>	✓	✓	✓	✓	✓	✓	✓	✓	✓	✓
<b>Unit Mounted Thermostat</b>	Single-pole, bimetal thermostat	<b>IT14</b>	✓	✓	✓	✓	✓	✓	✓	✓	✓	✓
	Double-pole, bimetal thermostat <sup>4</sup>	<b>IT15</b>	✓	✓	✓	✓	✓	✓	✓	✓	✓	✓
	Single-pole, bimetal, tamper-proof thermostat	<b>IT16</b>	✓	✓	✓	✓	✓	✓	✓	✓	✓	✓
	Double-pole, bimetal, temper-proof thermostat <sup>4</sup>	<b>IT17</b>	✓	✓	✓	✓	✓	✓	✓	✓	✓	✓

<sup>1</sup> Sizes 23 and 25 MUST be ordered in pairs to minimize shipping damage.

<sup>2</sup> Units with Option AK3E (240V supply voltage) can be connected to 208V power supply, heating capacity will be reduced by 25%.

<sup>3</sup> High-limit temperature control is based on elevation.

<sup>4</sup> "Off" position.

Other voltages available upon request.

# MECHANICAL THERMOSTATS

## MODELS

### CL5

Mechanical, wall mounted, line voltage thermostat, single-pole, single-throw. Not for use with model EXB.



### CL1A

Wall mounted, single-pole, low-voltage thermostat. Not for use with model EXB.



### CX1

Explosion resistant, wall mounted thermostat, 40°80°F.



# ELECTRICAL FUNDAMENTALS

## OHM'S LAW

The relationship between Wattage (heat) output and the applied Voltage of electric resistance heating elements is determined by a precise physical rule defined as Ohm's Law which states that the current in a resistance heating element is directly proportional to the applied Voltage. Ohm's Law is traditionally expressed as:

$$I = \frac{E}{R} \quad \text{Where: } I = \text{Amperes (Current)}$$

$$E = \text{Voltage}$$

$$R = \text{Ohms (Resistance)}$$

The same equation using the conventional abbreviation for voltage is:

$$I = \frac{V}{R} \quad \text{Where: } I = \text{Amperes (Current)}$$

$$V = \text{Voltage}$$

$$R = \text{Ohms (Resistance)}$$

An unknown electrical value can be derived by using any two known values in one of the variations of Ohm's Law shown at the right.

### VOLTS

$$\text{VOLTS} = \sqrt{\text{WATTS} \times \text{OHMS}}$$

$$\text{VOLTS} = \frac{\text{WATTS}}{\text{AMPERES}}$$

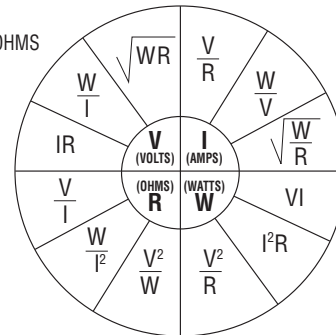
$$\text{VOLTS} = \text{AMPERES} \times \text{OHMS}$$

### AMPERES

$$\text{AMPERES} = \frac{\text{VOLTS}}{\text{OHMS}}$$

$$\text{AMPERES} = \frac{\text{WATTS}}{\text{VOLTS}}$$

$$\text{AMPERES} = \sqrt{\frac{\text{WATTS}}{\text{OHMS}}}$$



### OHMS

$$\text{OHMS} = \frac{\text{VOLTS}}{\text{AMPERES}}$$

$$\text{OHMS} = \frac{\text{WATTS}}{\text{AMPERES}^2}$$

$$\text{OHMS} = \frac{\text{VOLTS}^2}{\text{WATTS}}$$

### WATTS

$$\text{WATTS} = \text{VOLTS} \times \text{AMPERES}$$

$$\text{WATTS} = \text{AMPERES}^2 \times \text{OHMS}$$

$$\text{WATTS} = \frac{\text{VOLTS}^2}{\text{OHMS}}$$

# ELECTRIC CURRENT TABLE

Power kW	Voltage (ph)					
	120V (1)	208V (1)	208V (3)	240V (1)	240V (3)	277V (1)
0.3	2.50	1.45	0.83	1.25	0.72	1.09
0.4	3.34	1.92	1.11	1.67	0.97	1.45
0.5	4.17	2.41	1.39	2.09	1.21	1.81
0.6	5.00	2.89	1.66	2.50	1.45	2.17
0.75	6.25	3.61	2.09	3.13	1.81	2.71
0.8	6.67	3.85	2.23	3.34	1.93	2.89
1.0	8.34	4.81	2.78	4.17	2.41	3.61
1.2	10.00	5.77	3.34	5.00	2.89	4.34
1.25	10.42	6.01	3.47	5.21	3.01	4.52
1.4	11.67	6.73	3.89	5.84	3.38	5.06
1.5	12.50	7.22	4.17	6.25	3.61	5.42
1.6	13.34	7.70	4.45	6.67	3.86	5.78
1.75	14.59	8.42	4.87	7.30	4.22	6.32
2.0	16.67	9.62	5.56	8.34	4.82	7.22
2.25	18.75	10.82	6.25	9.38	5.42	8.13
2.5	20.84	12.02	6.95	10.42	6.02	9.03
3.0	25.00	14.43	8.34	12.50	7.23	10.83
4.0	33.34	19.23	11.12	16.67	9.64	14.44
4.5	37.50	21.64	12.50	18.75	10.84	16.25
5.0	41.67	24.04	13.90	20.84	12.05	18.05
6.0	50.00	28.85	16.68	25.00	14.45	21.66
7.5	62.50	36.06	20.84	31.25	18.06	27.08
8.0	66.67	38.47	22.23	33.34	19.27	28.88
9.0	75.00	43.27	25.01	37.50	21.68	32.49
10.0	83.34	48.08	27.79	41.67	24.09	36.11
12.0	100.00	57.70	33.25	50.00	28.90	43.33
14.0	116.67	67.31	38.91	58.33	33.72	50.54
15.0	125.00	72.12	41.69	62.50	36.13	54.16
18.0	150.00	86.54	50.02	75.00	43.35	64.99
20.0	166.67	96.16	55.58	83.34	48.17	72.21
24.0	200.00	115.39	66.69	100.00	57.80	86.65
25.0	208.34	120.20	69.48	104.17	60.21	90.26
30.0	250.00	144.23	83.37	125.00	72.25	108.31
35.0	291.67	168.27	97.27	145.84	84.30	126.36
40.0	333.34	192.31	111.16	166.67	96.34	144.41
45.0	375.00	216.35	125.06	187.50	108.38	162.46
50.0	416.67	240.39	138.95	208.34	120.43	180.51
55.0	458.34	264.43	152.85	229.17	132.47	198.56
60.0	500.00	288.47	166.75	250.00	144.51	216.61

## FAQ

### What is required for properly sizing a heater in my room?

- If you have a room with 8 feet ceiling height; you can calculate the square footage times 10 watts per square foot.
- If your ceiling is higher than 8 feet; calculate the cubic footage L x W x H and multiply by 1 watt per square foot.
- If you plan on heating a garage calculate the cubic footage L x W x H and multiply by 1 watt per square foot and multiply the square footage for each garage door by 48 (watts per square foot) and add this amount to the cubic footage. This will be the amount required to heat the garage.

### Are 120 volts and 240 volts heaters interchangeable?

- A 240 volts heater run at 120 volts will produce 1/4 of the rated wattage. A 120 volts heater run at 240 volts will be destroyed and could cause fire damage to the building.

### If I know the BTU's required; how do I calculate the watts required?

- $Watts = BTU/3.412$  (1 Watt = 3.41 BTU)

### Calculating Temperature Rise?

- Sometimes your heater does not feel like it is putting out enough heat. Why not, you ask?
- Temperature rise is calculated by taking the kW times the constant 3167 divided by the CFM. For instance:  
 $5kW \times 3167/300CFM = 15835/300CFM = 52.8 \text{ }^\circ\text{F}$ . If your ambient temperature is 60 °F the outlet air is 112 °F.

# CROSS REFERENCE CHART

## ELECTRIC BASEBOARD HEATER 240/208V



Model	Watts	Berko	Chromalox	Markel	Qmark
EBHB0300	300/225	2542W	BN/BL-2203W31	H 2903	QMK-2542W
EBHB0500	500/375	2542-6W	BN/BL-2805W31	H 2905	QMK-25426W
EBHB0750	750/563	2543W	BN/BL-3907W31	H 2907	QMK-2543W
EBHB1000	1000/750	2544W	BN/BL-4810W31	H 2910	QMK-2544W
EBHB1250	1250/938	2545W	BN/BL-5712W31	H 2912	QMK-2545W
EBHB1500	1500/1125	2546W	BN/BL-6615W31	H 2915	QMK-2546W
EBHB1750	1750/1313	-	BN/BL-7517W31	H 2917	-
EBHB2000	2000/1500	2548W	BN/BL-8420W31	H 2920	QMK-2548W
EBHB2250	2250/1688	-	BN/BL-9322W31	-	-
EBHB2500	2500/1875	2540-8W	BN/BL-10225W31	-	QMK-25408W

# OTHER PRODUCTS




## MODELS

		Page	Berko	Cadet	Electromode Chromalox	King	Markel	Qmark	Raywall
<b>EHC</b>	Commercial Wall Heater	23	VFK, FRA/ FRC	COACC	RFI/V/F	EFW	3310/3320 3420/3450	CWH/LFK	FPQ AFA/AFC/ AFH
<b>EGW</b>	Economical Unit Heater	9	HUH524TA	-	-	KBP	HF	MWUH5004	IH
<b>EGHB</b>	Industrial Suspended Unit Heater	6	HUH/SA	CEH/CAOS	EU	KB	UH	IUH	UH/5100
<b>EHA</b>	Forced-Air Architectural Wall Heater	21	FRC	LLW	EWA	LPWA	3450	AWH	AFC/AFH
<b>EMC</b>	Forced-Air Cabinet Unit Heater	18	CUH	COCA	CCH	-	6300/ACUH T SERIES	CU900	ACUH T SERIES
<b>ECR/ECS</b>	Ceiling Forced-Air Diffuser	16	FFCH	-	-	-	3480/3470	CDF	SCH/RCH
<b>EGEB</b>	Cyclone Commercial Unit Heater	4	HUHAA	-	-	-	5100	MUH	-
<b>EXUB</b>	Explosion-Resistant Unit Heater	11	RUX	-	CXH-ED	XL	HLA	GUX	HLA
<b>EWHB</b>	Wash Down Unit Heater	14	TUW	-	HDH	KBS	5500	JUW	WD

## COLOR CHART

Standard color *	<b>HK1 - White</b>	
	<b>HK2 - Almond</b>	

\* Refer to product Series for listings of standard colors available.  
Note: Due to the printing process, the colors may vary from the actual colors.

# NOTES



**For more information on Reznor® HVAC Equipment, contact your local Reznor Representative by calling 800-695-1901.**

**Or, find us on the internet at [ReznorHVAC.com](http://ReznorHVAC.com)**

Specifications & illustrations subject to change without notice or incurring obligations.

Reznor® is a registered trademark of Nortek Global HVAC, LLC.

All other trademarks are the property of their respective owners.

© Nortek Global HVAC, LLC 2023. All Rights Reserved.

**805E-0423** (Replaces 805E-0223)

**REZNOR®**